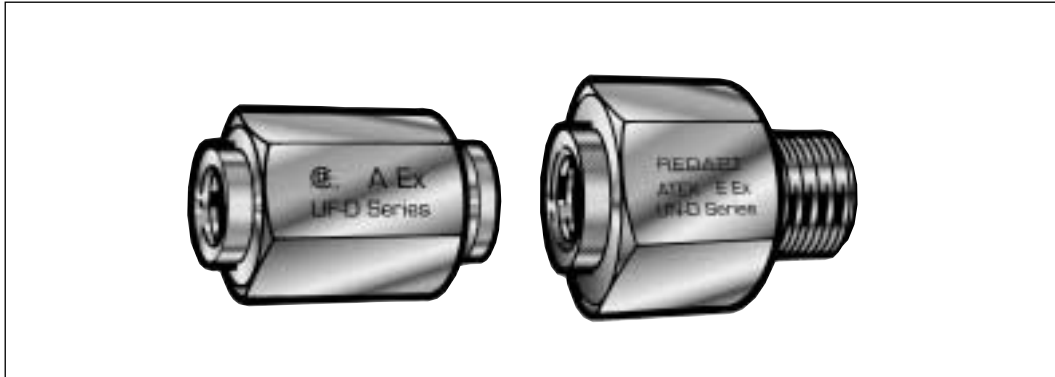


Unions



UN-D & UF-D Series Unions provide a running joint and eliminate exposed threads, while maintaining Ex certification.

CENELEC

Sira 00ATEX1096 (Metric Female)
Sira 99ATEX1196U (Non-Metric Female)
II 2DG E Ex d IIC

CSA / A Ex

Class I, Zone 1, Ex d IIC
Class I Division 1&2 ABCD
Class II EFG, Class III

Ingress Protection: IP54, CSA Enclosure Type (NEMA) 3
Impact Resistance: 7Nm
Ambient Temperature: -50 to +85°C
Materials: Brass, 316 Stainless Steel, Aluminium
Plating: Nickel, Zinc, other on application
Part Number: Please refer to *Part Numbering System*

Additional Information: Unions are available in Male x Female (UN-D) or Female x Female (UF-D) variations.

Available thread sizes and corresponding bore size

Metric	Bore	NPT	Bore	BSP	Bore	ET	Bore	PG	Bore
M16	10.0			$\frac{3}{8}$ "		$\frac{5}{8}$ "	10.0	PG9	10.0
M20	14.0	$\frac{1}{2}$ "	15.0	$\frac{1}{2}$ "	15.0	$\frac{3}{4}$ "	14.0	PG11	13.5
M25	18.0	$\frac{3}{4}$ "	19.0	$\frac{3}{4}$ "	19.0	1"	18.0	PG13.5	14.0
M32	24.0	1"	25.0	1"	25.0	1$\frac{1}{4}$"	24.0	PG16	16.0
M40	32.0	1$\frac{1}{4}$"	32.0	1$\frac{1}{4}$"	32.0	1$\frac{1}{2}$"	32.0	PG21	21.0
M50	41.0	1$\frac{1}{2}$"	38.0	1$\frac{1}{2}$"	38.0	2"	41.0	PG29	29.0
M63	53.0	2"	49.0	2"	49.0	2$\frac{1}{2}$"	53.0	PG36	38.0
M75	64.0	2$\frac{1}{2}$"	60.0	2$\frac{1}{2}$"	60.0	3"	64.0	PG42	45.0
								PG48	50.0

For full material specifications and options please refer to *Material Specifications*.