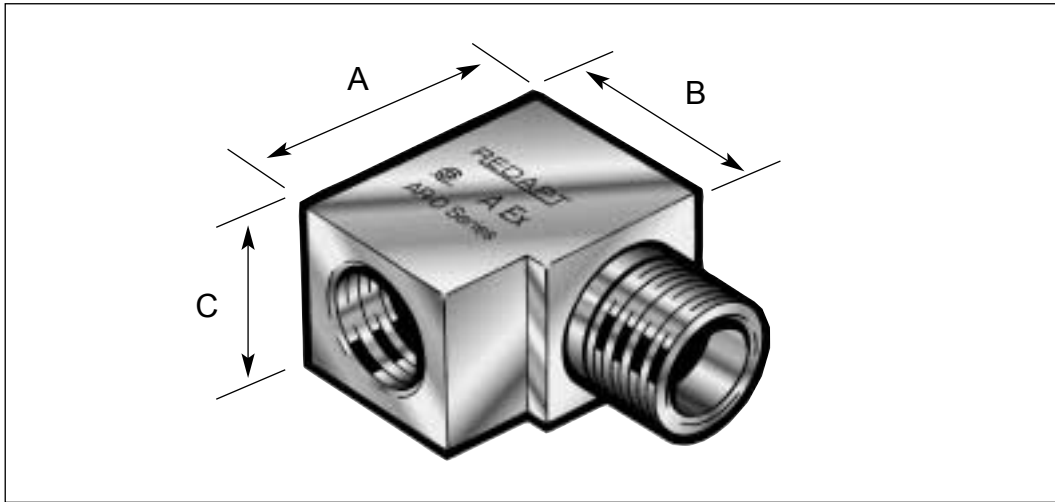


## 90° Adaptors



**AR-D Series** 90° Adaptors provide a method of facilitating a cable gland or conduit termination entry where spacing precludes conventional entry.

### CENELEC

Sira 99ATEX1195U  
II 2DG E Ex d IIC

### CSA / A Ex

Class I, Zone 1, Ex d IIC  
Class I Division 1&2 ABCD  
Class II EFG, Class III

<b>Ingress Protection:</b>	IP54, CSA Enclosure Type (NEMA) 3 To maintain higher levels of ingress protection additional sealing is required, refer to <i>Ingress Protection</i>
<b>Impact Resistance:</b>	7Nm
<b>Ambient Temperature:</b>	-50 to +85°C
<b>Materials:</b>	Brass, 316 Stainless Steel, Aluminium
<b>Threadforms:</b>	Metric, NPT, NPSM, ISO Pipe (BSP), PG, ET
<b>Plating:</b>	Nickel, Zinc, other on application
<b>Part Number:</b>	Please refer to <i>Part Numbering System</i>
<b>Additional Information:</b>	Where the thread in the equipment into which the 90° Adaptor is fitted is a tapered form care should be taken to ensure that the threads are fully engaged to maintain Ex integrity.

### Dimensions of Metric Versions

Size	Bore	Male Length	A Height	B Length	C Width
<b>M16 x M16</b>	10.0	16.0	32.0	27.0	23.0
<b>M20 x M20</b>	14.0	16.0	38.0	29.0	25.4
<b>M25 x M25</b>	18.0	16.0	44.0	35.0	32.0
<b>M32 x M32</b>	24.0	16.0	50.0	44.0	40.0
<b>M40 x M40</b>	32.0	16.0	56.0	52.0	48.0
<b>M50 x M50</b>	41.0	16.0	72.0	65.0	60.0
<b>M63 x M63</b>	53.0	16.0	85.0	76.0	73.0
<b>M75 x M75</b>	64.0	16.0	98.0	93.0	87.0

Thread lengths, depths and bores are as for Ex Adaptors.

For full material specifications and options please refer to *Material Specifications*.