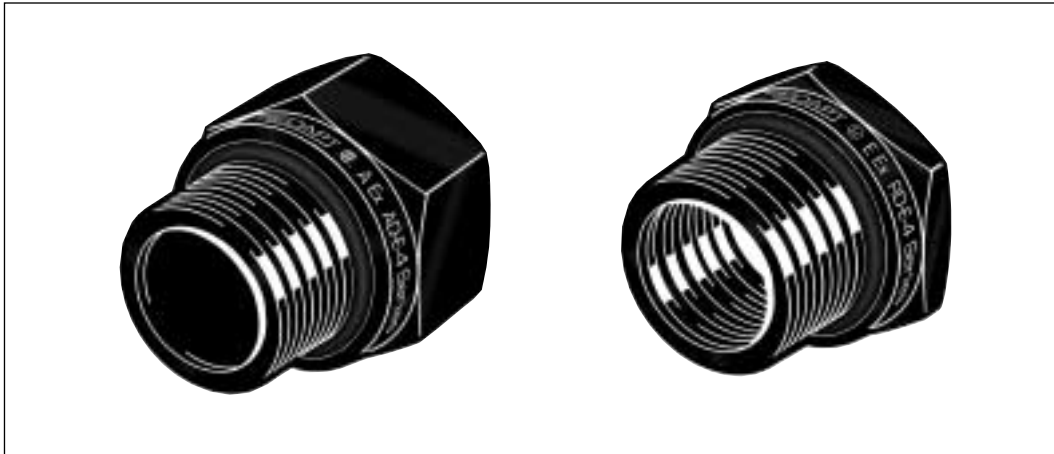


## Glass Filled Nylon Adaptors & Reducers IP66 68 & NEMA 4X 6P



**AD-E-4 & RD-E-4 Series** Glass filled nylon Adaptors and Reducers provide a method of matching electrical threadforms on Ex Equipment while maintaining increased safety certification.

**Adaptors** are used where the thread size of the cable gland or connection device is larger than, or of an equivalent size to the entry thread of the enclosure.

**Reducers** are used to reduce the entry thread of an enclosure to accept a cable gland or connection device with a smaller thread.

### CENELEC

Sira 00ATEX3091 (Metric Female)  
Sira 99ATEX3116U (Non-Metric Female)  
II 2DG E Ex e II

### CSA / A Ex

Class I, Zone 1, Ex e II  
Class I Division 2 ABCD  
Class II EFG, Class III

**Ingress Protection:** IP66 68, CSA Enclosure Type (NEMA) 4X 6P  
**Impact Resistance:** 7Nm  
**Ambient Temperature:** -50 to +85°C  
**Materials:** Durethan BKV 30 N1 30% Glass Filled Nylon  
**'O' Ring Material:** Nitrile  
**Part Number:** Please refer to *Part Numbering System*

### Available thread sizes and corresponding bore size

Metric	Bore	NPT	Bore	ISO Pipe	Bore	ET	Bore	PG	Bore
<b>M16</b>	9.3			$\frac{3}{8}$ "	9.3	$\frac{5}{8}$ "	9.3	<b>PG9</b>	9.0
<b>M20</b>	11.0	$\frac{1}{2}$ "	12.0	$\frac{1}{2}$ "	12.0	$\frac{3}{4}$ "	11.0	<b>PG11</b>	10.0
<b>M25</b>	16.0	$\frac{3}{4}$ "	13.0	$\frac{3}{4}$ "	13.0	<b>1"</b>	16.0	<b>PG13.5</b>	11.5
<b>M32</b>	21.0	<b>1"</b>	18.0	<b>1"</b>	18.0	<b>1<math>\frac{1}{4}</math>"</b>	21.0	<b>PG16</b>	13.5
<b>M40</b>	31.0	<b>1<math>\frac{1}{4}</math>"</b>	33.0	<b>1<math>\frac{1}{4}</math>"</b>	33.0	<b>1<math>\frac{1}{2}</math>"</b>	31.0	<b>PG21</b>	19.0
<b>M50</b>	40.0	<b>1<math>\frac{1}{2}</math>"</b>	38.0	<b>1<math>\frac{1}{2}</math>"</b>	38.0	<b>2"</b>	40.0	<b>PG29</b>	28.0
								<b>PG36</b>	37.0
								<b>PG42</b>	44.0

For full material specifications and options please refer to *Material Specifications*.