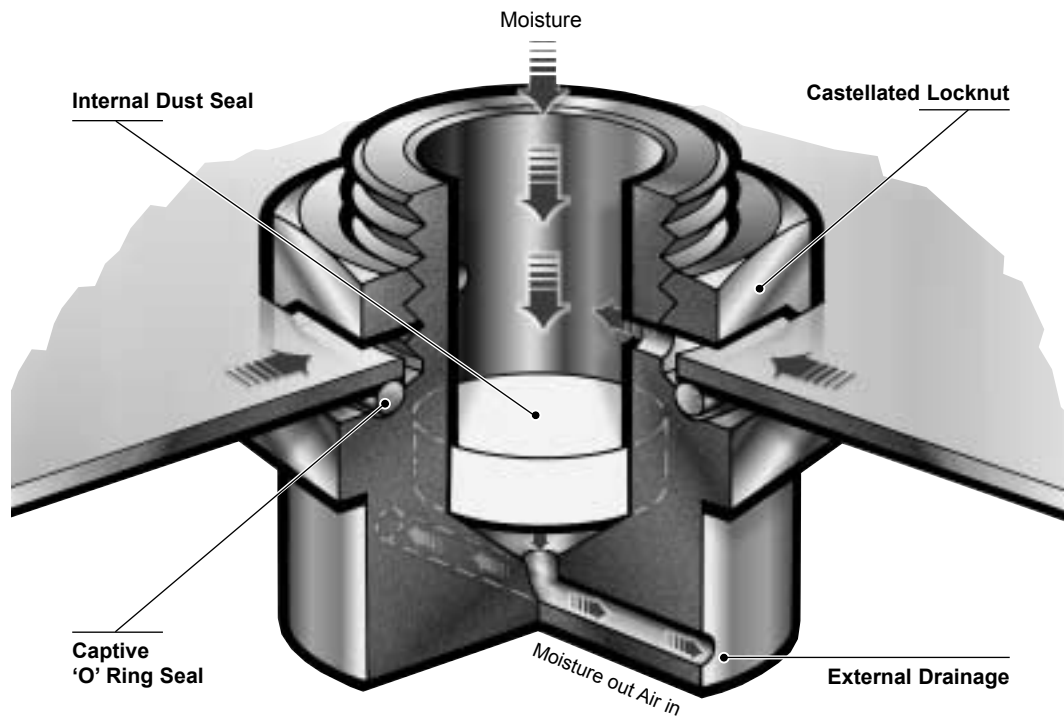
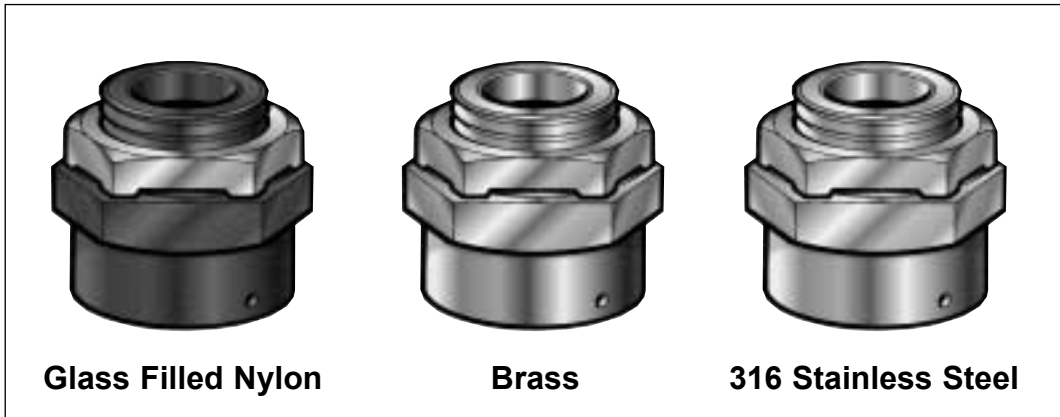


Increased Safety Breather Drain IP66 & NEMA 4X

DP-E Series Breather Drain provides a method of effectively draining any moisture within an enclosure whilst allowing the air inside the enclosure to breathe with the surrounding atmosphere.



- **Internal Dust Seal** provides ingress protection to **IP66 & NEMA 4X**, with the largest possible bore size to aid draining, whilst retaining filtration capabilities that remove debris from the moisture and retains it on the surface where it can easily be removed with compressed air. Additionally the structural strength and chemical resistance characteristics of the material enable the filter to meet the requirements of hazardous area installations
- **Castellated Locknut** allows moisture to pass between the locknut and the enclosure, draining via holes in the thread without any build up of moisture in the bottom of the enclosure.
- **Captive 'O' Ring Seal** is located within a recess on the face of the breather drain helping protect the 'O' ring from the environmental damage, ensuring the 'O' ring is not displaced during installation and to optimise ingress protection.
- **External Drainage** via two ports optimises ingress protection without compromising the draining capabilities.



CENELEC **CSA / A Ex**

Sira 99ATEX3050U
I M2 II 2DG E Ex e I & II
II 2DG E Ex e II (Glass Filled Nylon & Alum)

Class I, Zone 1, Ex e II
Class I Division 2 Groups ABCD
Class II EFG, Class III

Ingress Protection: IP66, CSA Enclosure Type (NEMA) 4X
Impact Resistance: 20Nm (7Nm GF Nylon & Aluminium)
Ambient Temperature: -50 to +85°C
Materials: Brass, 316 Stainless Steel, Aluminium
 Durethan BKV 30 N1 30% Glass Filled Nylon
Plating: Nickel, Zinc, other on application
Part Number: See option table below and refer to *Part Numbering System*

Additional Information:

The Breather Drain is available in two styles to cater for either threaded entries or clearance holes.

Clearance Hole: 10mm length of thread, supplied complete with a castellated locknut and having 2 holes in the thread wall positioned directly opposite each other for optimum drainage.

Threaded Entry: Supplied either with or without a castellated locknut and having 3 holes in the thread wall, offset to provide a 9mm range to accommodate differing wall thickness'.

Breather Drain Options

DP-E-x-x-xx-??	Thread Length	Hole Position	Castellated Locknut
S1	10.0	Oposing (x2)	With
S2	10.0	Oposing (x2)	Without
S3	15.0	Offset (x3)	With
S4	15.0	Offset (x3)	Without

Note: Glass filled nylon version is only available in S3 & S4 options and is supplied complete with a brass castellated locknut.

Dimensional Data

Size	Hex A/F	Hex A/C	Thread Length	Head Length (max)
M20 - ½" NPT	28.6	32.9	10.0(2 hole) or 15.0 (3 hole)	17.0
M25 - ¾" NPT	34.9	40.2	10.0(2 hole) or 15.0 (3 hole)	17.0

For full material specifications and options please refer to *Material Specifications*.